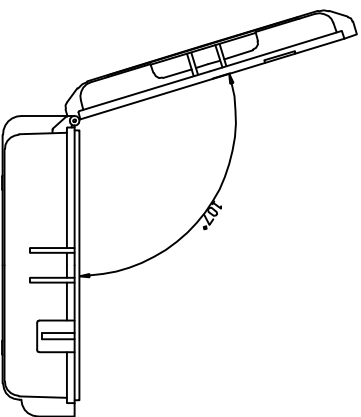
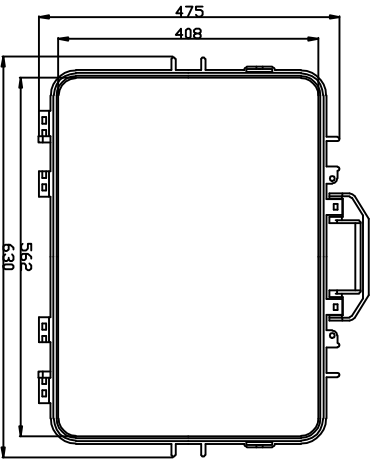
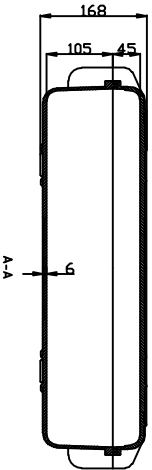
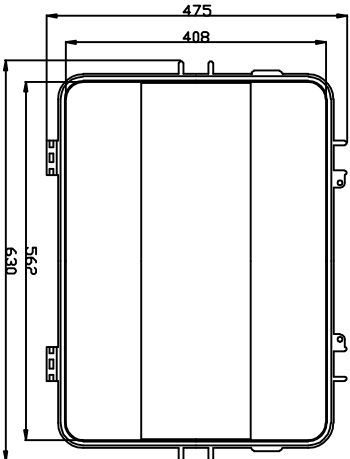
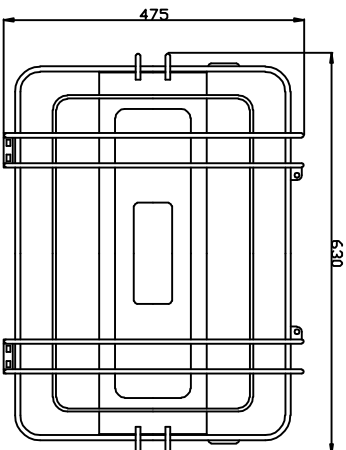
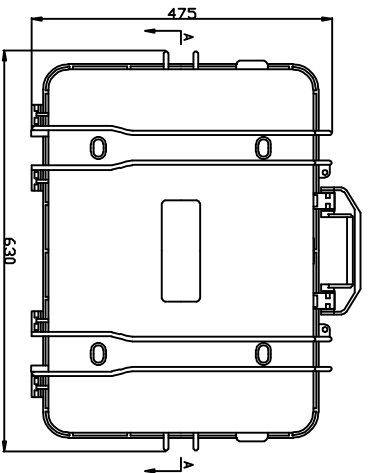


BASIC SIZE	0-3	>3-6	>6-10	>10-18	>18-30	>30-50	>50-80	>80-120	>120-180	>180-250
DIMS TOLERANCE	±0.14	±0.18	±0.22	±0.27	±0.33	±0.39	±0.46	±0.54	±0.63	±0.72



THE MACHINING TOLERANCES		NAME	DATE
UNSPECIFIED TOLERANCES FOLLOW GB/1804-1992 IT13	DRAWN		
FDAM	CHECKED		
ENG APPR			
THE ANGLE TOLERANCES	±3mm		
THE ANGLE TOLERANCES	±1°		
FIRST ANGLE PROJECTION	QTY	1	
SCALE	1:1	UNIT	mm
DD NOT DRAWING	SCALE		
SHEET 1			
DF 1			

**DRX.EVEREST**  
WWW.EVERESTCASE.COM

TITLE  
**EVEREST CASE**

MATERIAL  
**ABS**

/PART NO  
**EP021-1**