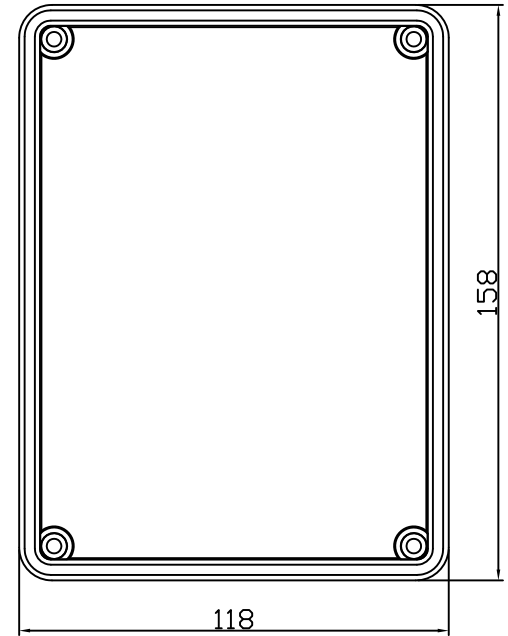
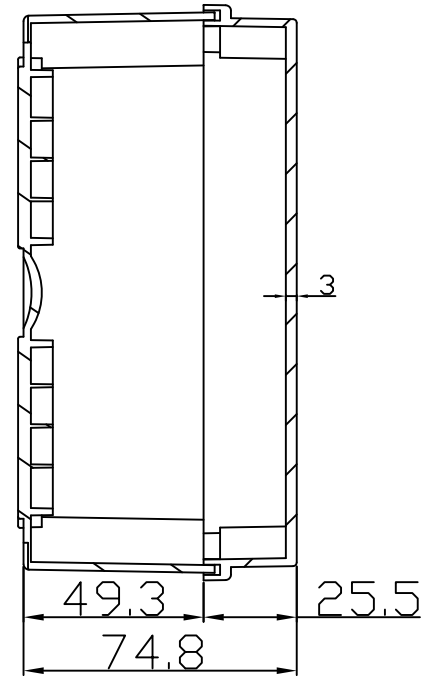
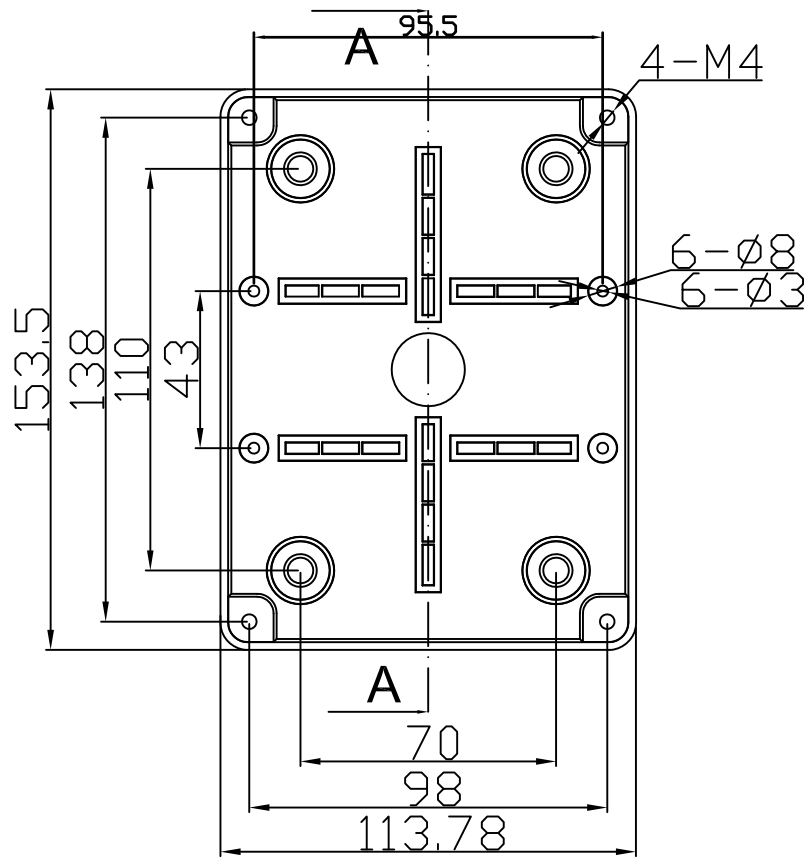
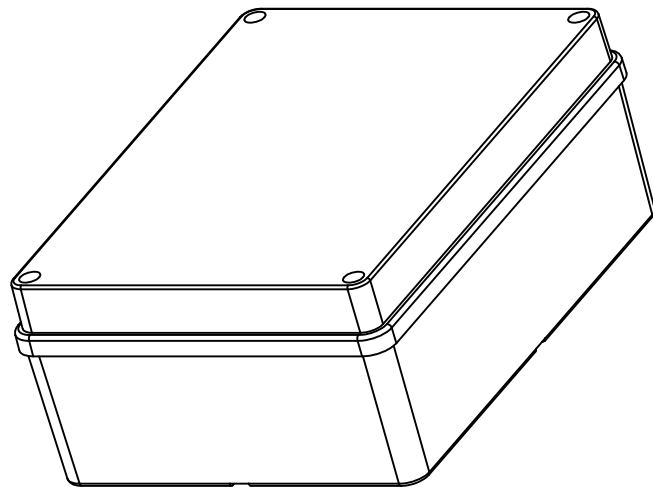


REVISION RECORD				
REV	ECD	DESCRIPTION	DRFT	CHKD



A-A



DETACHED LISTS			DRAWN	NAME	DATE		EVEREST WWW.EVERESTCASE.COM
	TOLERANCES EXCEPT AS NOTED		Kelvin	01/14/2015			
	MM	±	CHECKED				TITLE PW066
	.0 ± 0.3	±	ENG APPR.				
.00 ± 0.2	±	MATERIAL : ABS		QT'Y :		DRAWING NO. PW066	SIZE
.000 ± 0.1	±	FINISH:		SCALE : 1:1		/PART NO. 00	REV
ANGLES ± 5°		FIRST ANGLE PROJECTION		DO NOT SCALE DRAWING		SHEET 1	OF 1