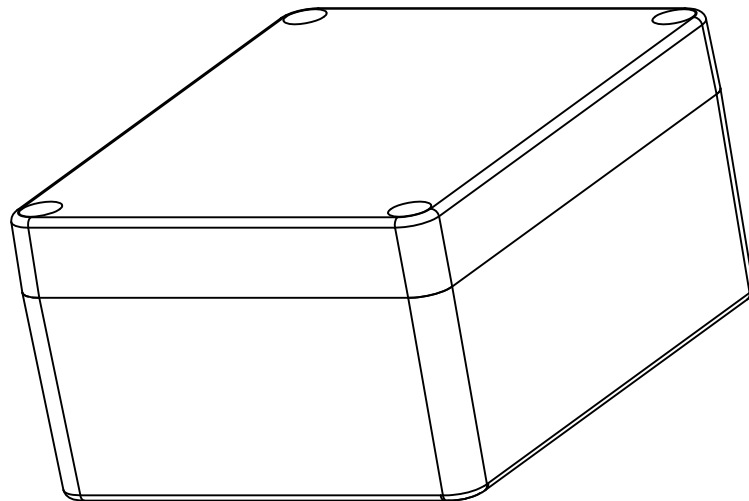
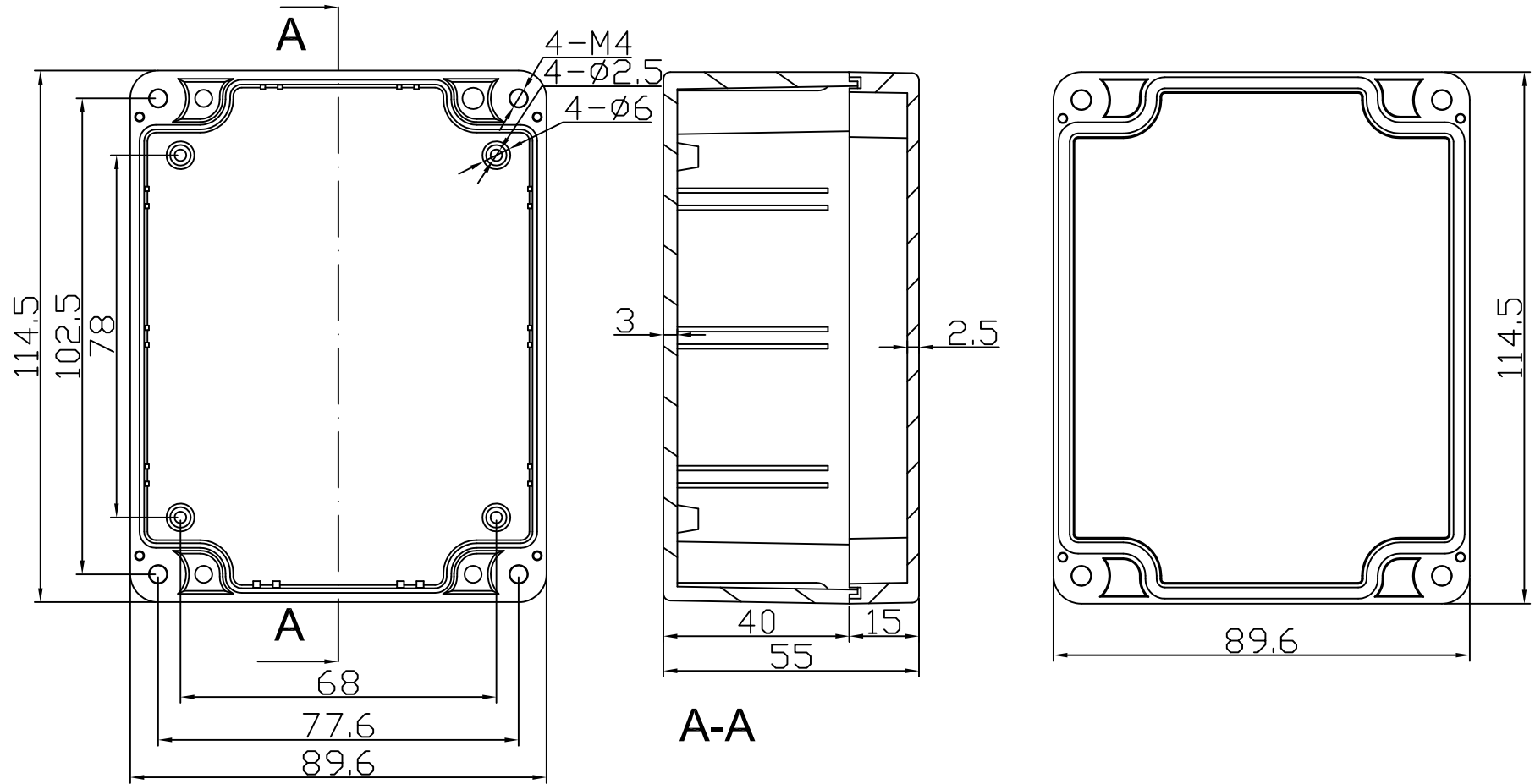


REVISION RECORD				
REV	ECD	DESCRIPTION	DRFT	CHKD



DETACHED LISTS	MM (INCH)	DRAWN	NAME	DATE	E:\new logo.jpg	EVEREST WWW.EVERESTCASE.COM
	TOLERANCES EXCEPT AS NOTED	Kelvin	01/20/2015			
	MM	CHECKED	ENG APPR.	TITLE		
	.0 ± 0.3 ± .00 ± 0.2 ± .000 ± 0.1 ±	MATERIAL : ABS		PW006		
ANGLES ± 5°	QT'Y :		DRAWING NO. PW006		SIZE	REV
FIRST ANGLE PROJECTION	FINISH:		/PART NO. 00		A4	
SCALE : 1:1			DO NOT SCALE DRAWING		SHEET 1	OF 1