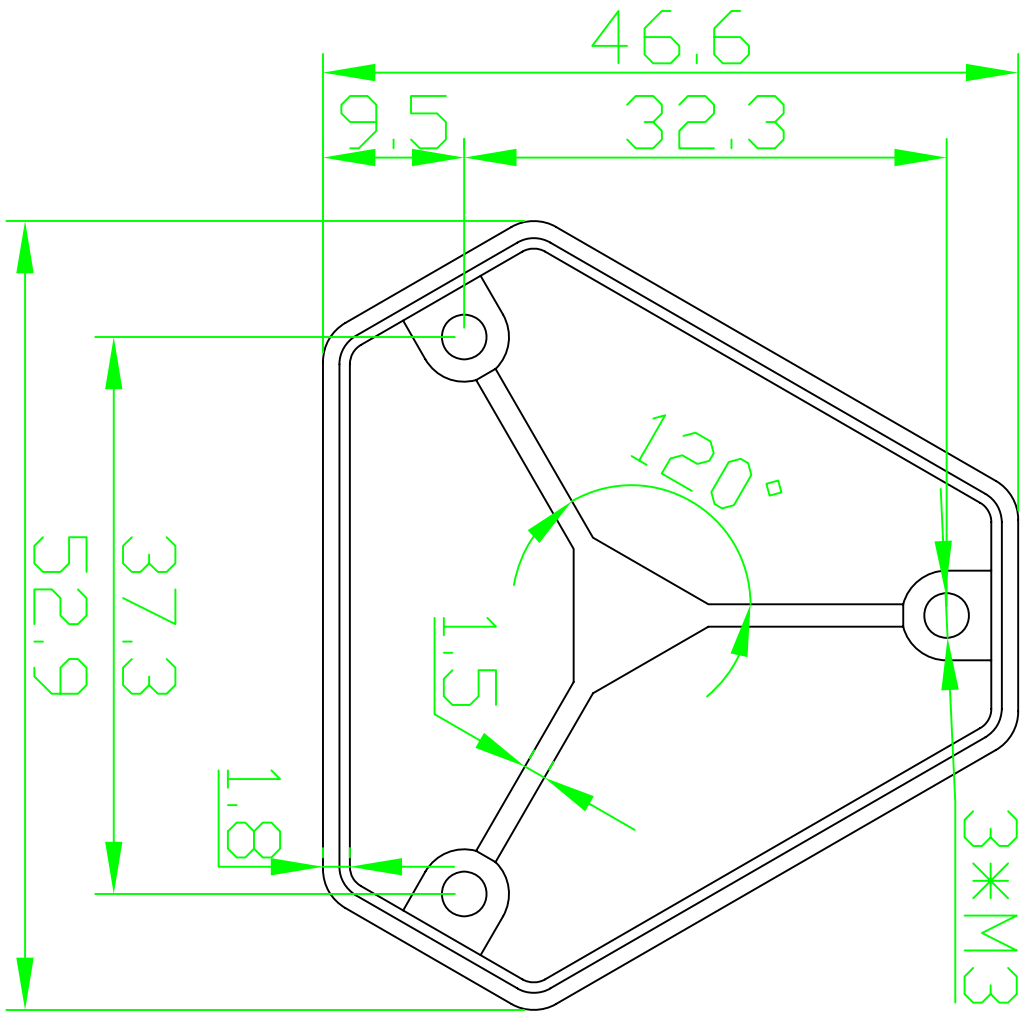


REVISION RECORD				
REV	ECD	DESCRIPTION	DRFT	CHKD



DETACHED LISTS		NAME	DATE																								
<table border="1"> <tr> <td>MM</td> <td>±</td> <td>0.03</td> </tr> <tr> <td>MM</td> <td>±</td> <td>0.02</td> </tr> <tr> <td>MM</td> <td>±</td> <td>0.01</td> </tr> </table>	MM	±	0.03	MM	±	0.02	MM	±	0.01	<table border="1"> <tr> <td>MM</td> <td>±</td> <td>0.03</td> </tr> <tr> <td>MM</td> <td>±</td> <td>0.02</td> </tr> <tr> <td>MM</td> <td>±</td> <td>0.01</td> </tr> </table>	MM	±	0.03	MM	±	0.02	MM	±	0.01	<table border="1"> <tr> <td>DRAWN</td> <td>AA/PC/N</td> </tr> <tr> <td>CHECKED</td> <td></td> </tr> <tr> <td>ENG APPR</td> <td></td> </tr> </table>	DRAWN	AA/PC/N	CHECKED		ENG APPR		11/27/2014
MM	±	0.03																									
MM	±	0.02																									
MM	±	0.01																									
MM	±	0.03																									
MM	±	0.02																									
MM	±	0.01																									
DRAWN	AA/PC/N																										
CHECKED																											
ENG APPR																											
<table border="1"> <tr> <td>ANGLES ± 5°</td> <td>±</td> </tr> </table>		ANGLES ± 5°	±	<table border="1"> <tr> <td>MATERIAL</td> <td>AL</td> </tr> <tr> <td>QTY</td> <td>1</td> </tr> <tr> <td>FINISH</td> <td></td> </tr> </table>		MATERIAL	AL	QTY	1	FINISH																	
ANGLES ± 5°	±																										
MATERIAL	AL																										
QTY	1																										
FINISH																											
<table border="1"> <tr> <td>FINISH</td> <td></td> </tr> <tr> <td>SCALE</td> <td>1:1</td> </tr> </table>		FINISH		SCALE	1:1	<table border="1"> <tr> <td>DRAWING NO.</td> <td>AEH</td> </tr> <tr> <td>/PART NO.</td> <td>00</td> </tr> <tr> <td>DD NOT SCALE DRAWING</td> <td></td> </tr> </table>		DRAWING NO.	AEH	/PART NO.	00	DD NOT SCALE DRAWING															
FINISH																											
SCALE	1:1																										
DRAWING NO.	AEH																										
/PART NO.	00																										
DD NOT SCALE DRAWING																											
<table border="1"> <tr> <td>TITLE</td> <td>埃弗勒斯 EVEREST</td> </tr> <tr> <td></td> <td>WWW.EVERESTCASE.COM</td> </tr> </table>		TITLE	埃弗勒斯 EVEREST		WWW.EVERESTCASE.COM	<table border="1"> <tr> <td>SIZE</td> <td>A4</td> </tr> <tr> <td>REV</td> <td></td> </tr> </table>		SIZE	A4	REV																	
TITLE	埃弗勒斯 EVEREST																										
	WWW.EVERESTCASE.COM																										
SIZE	A4																										
REV																											
<table border="1"> <tr> <td>SHEET</td> <td>1</td> </tr> <tr> <td>OF</td> <td>1</td> </tr> </table>		SHEET	1	OF	1																						
SHEET	1																										
OF	1																										