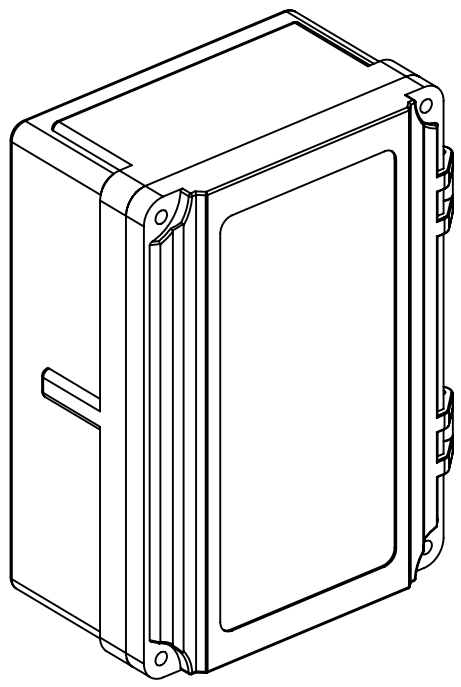
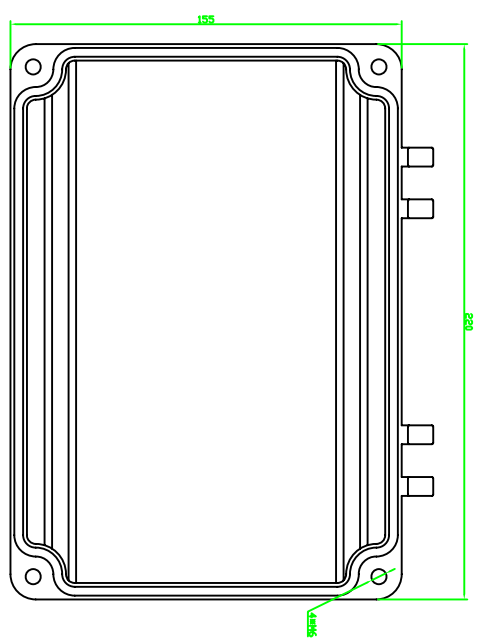
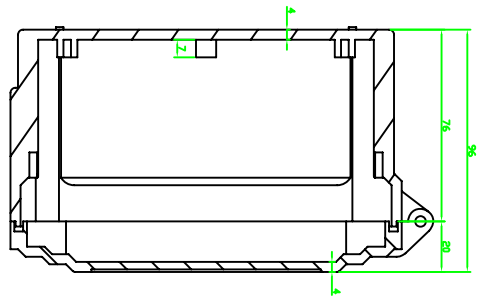
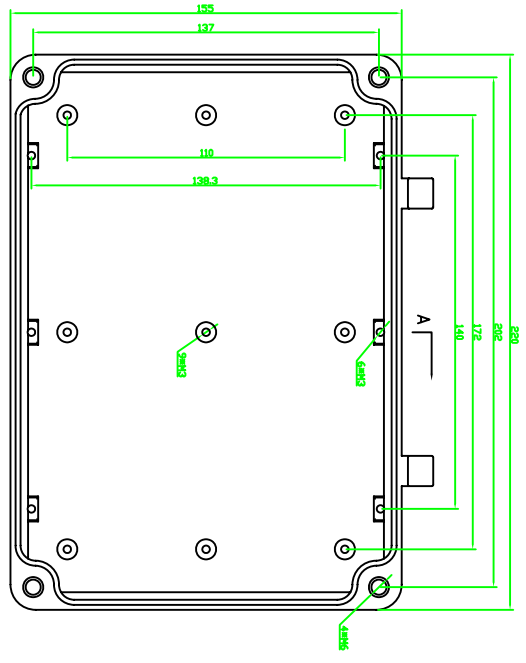


REVISION RECORD				
REV	ECD	DESCRIPTION	DRFT	CHKD



DETACHED LISTS		DATE	DATE
DRFTD	CHKD	DATE	DATE
MFD	APPVL	DATE	DATE
MATERIAL : AL		DATE	
QTY : 1		DATE	
FINISH :		DATE	
SCALE : 1:1		DATE	
TOLERANCES EXCEPT AS NOTED		DATE	
MM	±	MM	±
0.1 ± 0.3	±	0.1 ± 0.3	±
0.00 ± 0.02	±	0.00 ± 0.02	±
0.00 ± 0.1	±	0.00 ± 0.1	±
ANGLES ± 5°		DATE	
FIRST ANGLE PROJECTION		DATE	

埃弗勒斯
EVEREST
WWW.EVERESTCASE.COM

TITLE
AW046

DRAWING NO. AW046
/PART NO. 00
DD NOT SCALE DRAWING
SIZE A4
REV
SHEET 1 OF 1