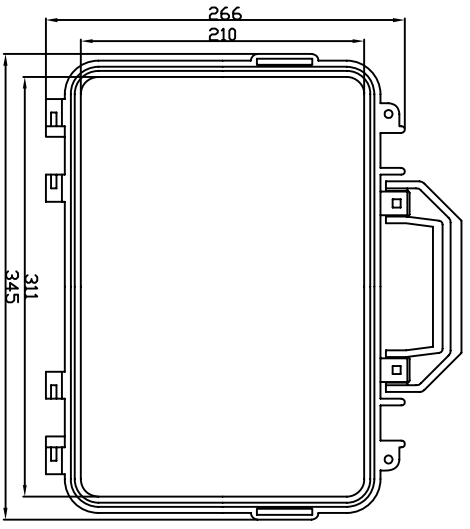
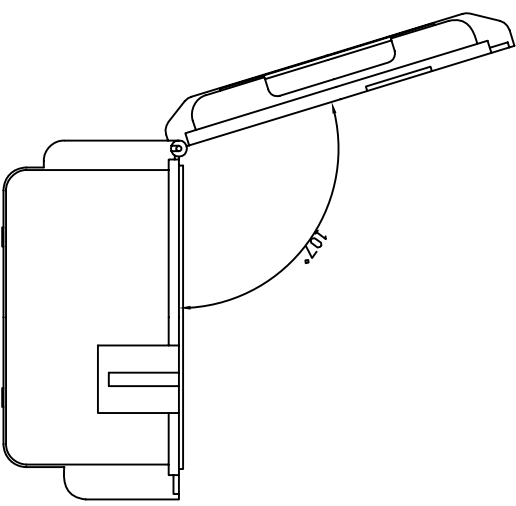
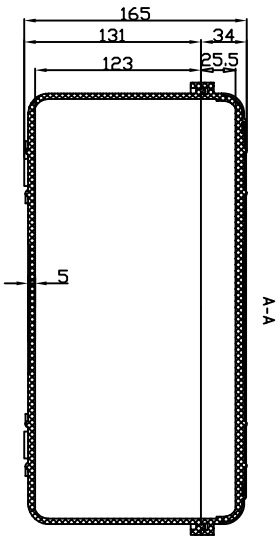
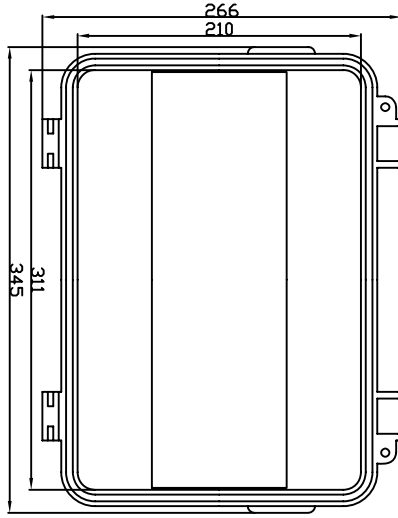
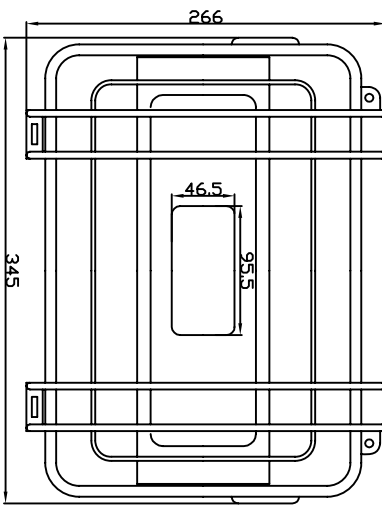
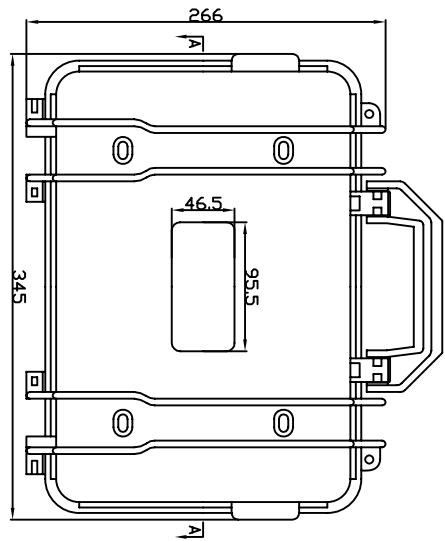


| REVISION RECORD | | | | |
|-----------------|-----|-------------|------|------|
| REV | ECD | DESCRIPTION | DRFT | CHKD |
| | | | | |



| DETACHED LISTS | | DATE | DATE | DATE | DATE | DATE |
|----------------------------|----|-------------|------|-------------|-------|-------------|
| MM (INCH) | MM | DRFTD | CHKD | WFD | APVVL | DATE |
| TOLERANCES EXCEPT AS NOTED | | | | | | |
| MM | ± | MM | ± | MM | ± | MM |
| 0 ± 0.3 | ± | 0.00 ± 0.02 | ± | 0.00 ± 0.01 | ± | 0.00 ± 0.01 |
| ANGLES ± 5° | | | | | | |
| MATERIAL: ABS | | | | | | |
| FINISH: | | | | | | |
| SCALE: 1:1 | | | | | | |
| THIRD ANGLE PROJECTION | | | | | | |
| DRAWING NO. EPC019-2 | | | | | | |
| /PART NO. 00 | | | | | | |
| DID NOT SCALE DRAWING | | | | | | |
| SHEET 1 OF 1 | | | | | | |

埃弗勒斯
EVEREST
WWW.EVERESTCASE.COM

EPC019-2

SIZE
A4
REV