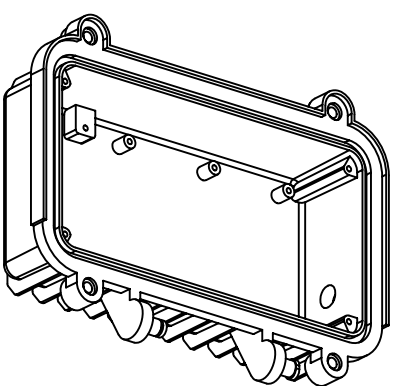
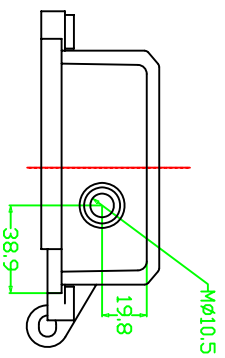
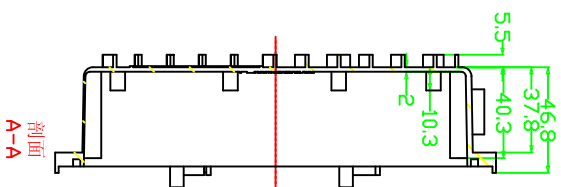
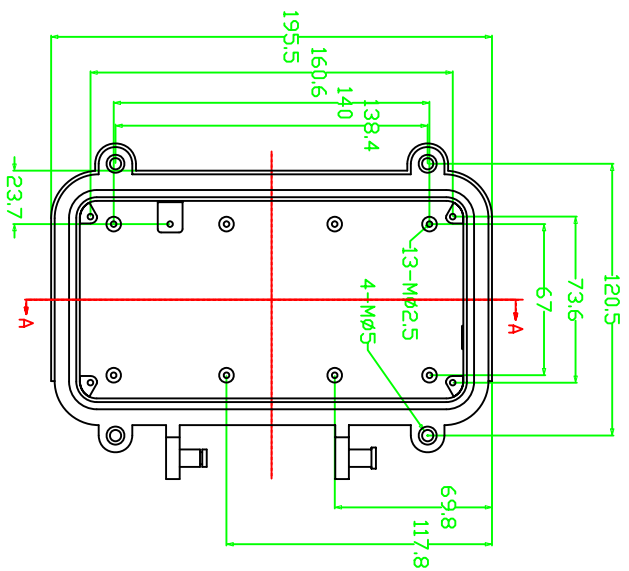
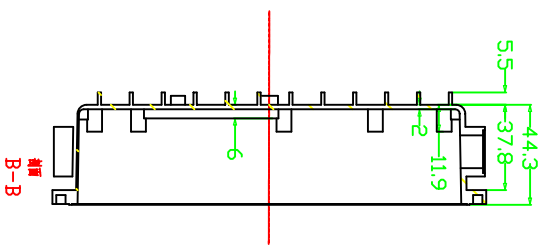
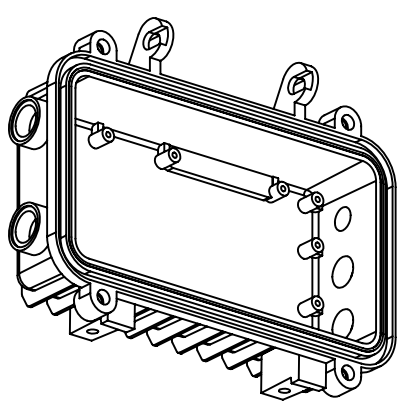
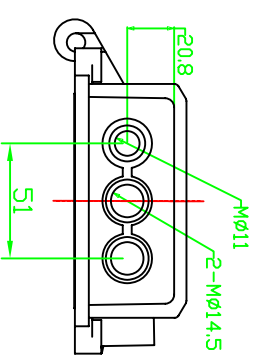
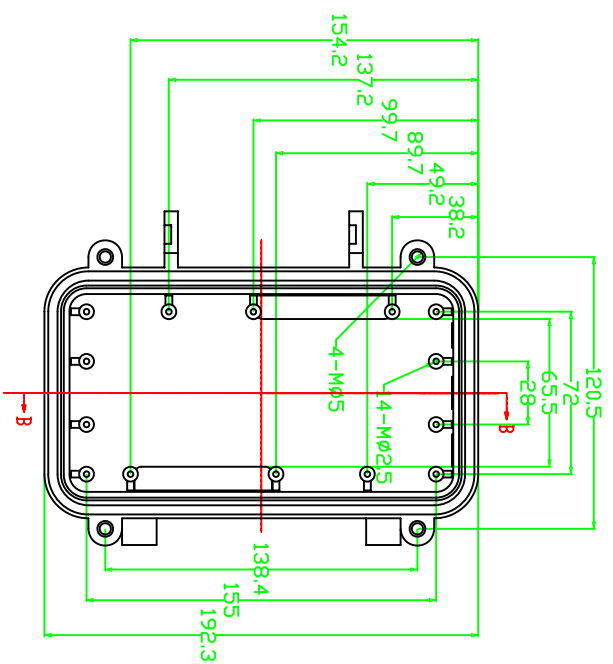
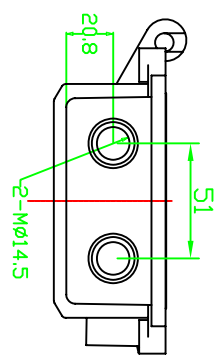


REVISION RECORD				
REV	ECD	DESCRIPTION	DRFT	CHKD



DETACHED LISTS																	
<table border="1"> <tr> <td>MM</td> <td>(INCH)</td> </tr> <tr> <td>0.1 ± 0.3</td> <td>±</td> </tr> <tr> <td>0.00 ± 0.02</td> <td>±</td> </tr> <tr> <td>0.00 ± 0.01</td> <td>±</td> </tr> </table>	MM	(INCH)	0.1 ± 0.3	±	0.00 ± 0.02	±	0.00 ± 0.01	±	<table border="1"> <tr> <td>DRFTD</td> <td>DATE</td> </tr> <tr> <td>CHKD</td> <td>DATE</td> </tr> <tr> <td>MFD</td> <td>DATE</td> </tr> <tr> <td>APPVL</td> <td>DATE</td> </tr> </table>	DRFTD	DATE	CHKD	DATE	MFD	DATE	APPVL	DATE
MM	(INCH)																
0.1 ± 0.3	±																
0.00 ± 0.02	±																
0.00 ± 0.01	±																
DRFTD	DATE																
CHKD	DATE																
MFD	DATE																
APPVL	DATE																
<table border="1"> <tr> <td>ANGLES ± 5°</td> <td>±</td> </tr> </table>	ANGLES ± 5°	±	<table border="1"> <tr> <td>FINISH:</td> <td>AL</td> </tr> <tr> <td>QTY:</td> <td>1</td> </tr> <tr> <td>MATERIAL:</td> <td>AL</td> </tr> </table>	FINISH:	AL	QTY:	1	MATERIAL:	AL								
ANGLES ± 5°	±																
FINISH:	AL																
QTY:	1																
MATERIAL:	AL																
<table border="1"> <tr> <td>FIRST ANGLE PROJECTION</td> <td>SCALE: 1:3</td> </tr> </table>	FIRST ANGLE PROJECTION	SCALE: 1:3	<table border="1"> <tr> <td>TITLE</td> <td>埃弗勒斯 EVEREST</td> </tr> <tr> <td>DRAWING NO.</td> <td>AAP009C</td> </tr> <tr> <td>/PART NO.</td> <td>00</td> </tr> <tr> <td>DD NOT SCALE DRAWING</td> <td>WWW.EVERESTCASE.COM</td> </tr> </table>	TITLE	埃弗勒斯 EVEREST	DRAWING NO.	AAP009C	/PART NO.	00	DD NOT SCALE DRAWING	WWW.EVERESTCASE.COM						
FIRST ANGLE PROJECTION	SCALE: 1:3																
TITLE	埃弗勒斯 EVEREST																
DRAWING NO.	AAP009C																
/PART NO.	00																
DD NOT SCALE DRAWING	WWW.EVERESTCASE.COM																
<table border="1"> <tr> <td>SIZE</td> <td>REV</td> </tr> <tr> <td>A4</td> <td> </td> </tr> </table>	SIZE	REV	A4		<table border="1"> <tr> <td>SHEET</td> <td>OF</td> </tr> <tr> <td>1</td> <td>1</td> </tr> </table>	SHEET	OF	1	1								
SIZE	REV																
A4																	
SHEET	OF																
1	1																

REVISION RECORD				
REV	ECD	DESCRIPTION	DRFT	CHKD



DETACHED LISTS		TOLERANCES EXCEPT AS NOTED		ANGLES ± 5°	
MM	± 0.3	MM	± 0.2	±	±
MM	± 0.02	MM	± 0.1	±	±
MM	± 0.1	MM	± 0.1	±	±

DRFTD	DATE	CHKD	DATE	APPVL	DATE

MATERIAL: AL	QTY: 1
--------------	--------

FINISH:	
SCALE: 1:3	

<b>EVEREST</b> WWW.EVERESTCASE.COM	
TITLE	
AAP009C	
DRAWING NO. AAP009C	SIZE A4
/PART NO. 00	REV
DD NOT SCALE DRAWING	SHEET 1 OF 1