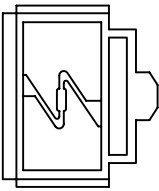
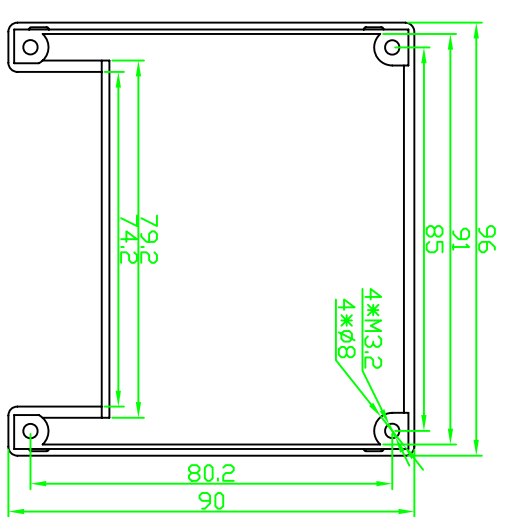
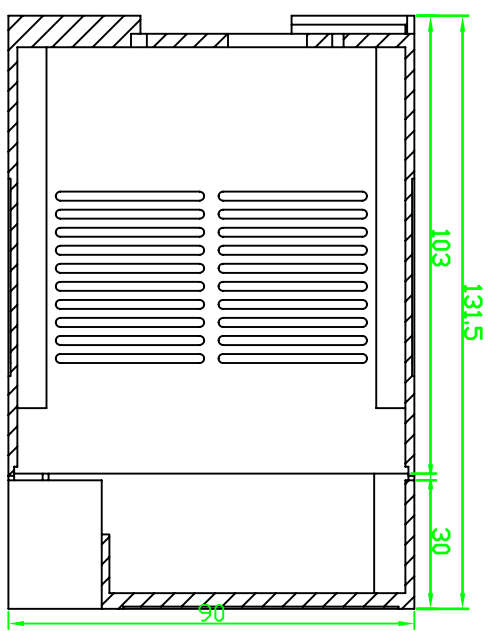
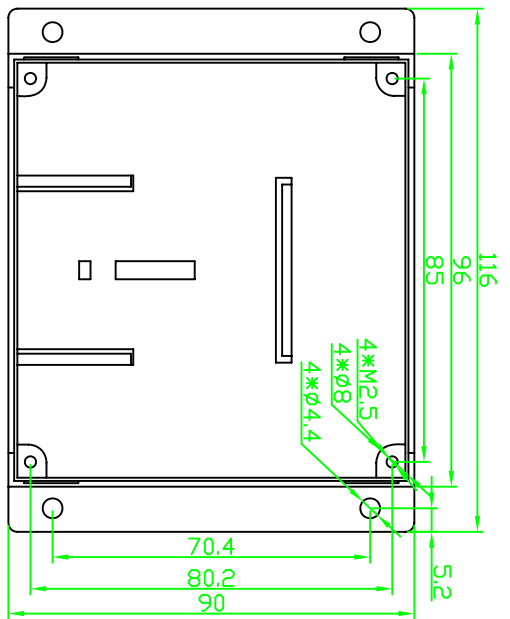


REVISION RECORD				
REV	ECD	DESCRIPTION	DRFT	CHKD



长扣

DETACHED LISTS		DATE	DATE	DATE
MM	0 ± 0.3	MM	DATE	DATE
MM	.00 ± 0.2	MM	DATE	DATE
MM	0.00 ± 0.1	MM	DATE	DATE
ANGLES ± 5°	±	DATE	DATE	DATE
FINISH:	QTY: 1	MATERIAL: ABS		
SCALE: 1:1	FINISH:	TITLE: PLC019		
DD NOT SCALE DRAWING	DRAWING NO. PLC019	DRAWING NO. PLC019		
SHEET 1	/PART NO. 00	/PART NO. 00		
OF 1	SIZE A4	SIZE A4		
	REV	REV		

埃弗勒斯 EVEREST
WWW.EVERESTCASE.COM