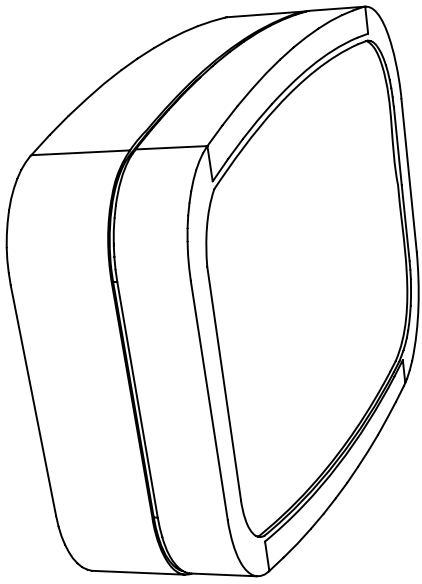
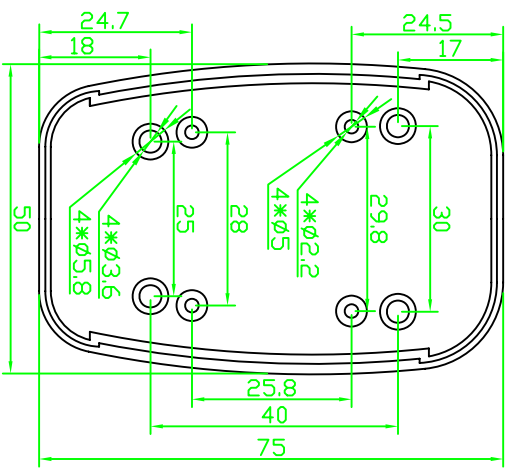
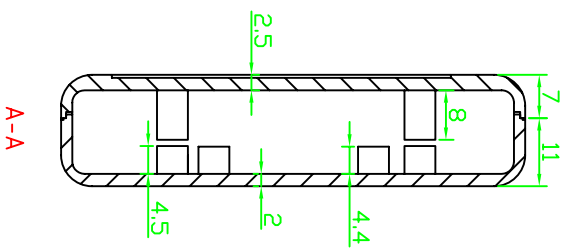
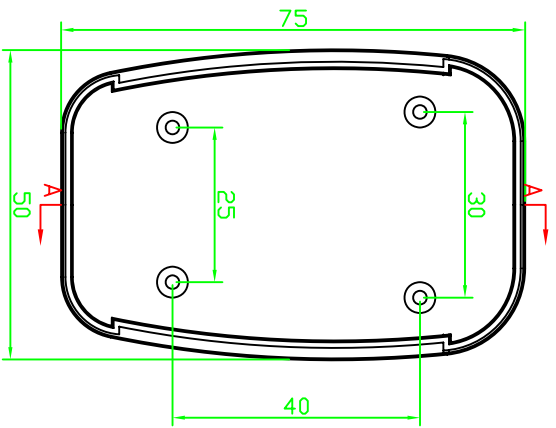


REVISION RECORD				
REV	ECD	DESCRIPTION	DRFT	CHKD



DETACHED LISTS		DATE	DATE	DATE	DATE
MM	0 ± 0.3	MM	±	DATE	DATE
MM	.00 ± 0.2	MM	±	DATE	DATE
MM	0.00 ± 0.1	MM	±	DATE	DATE
ANGLES ± 5°		DATE	DATE	DATE	DATE
TOLERANCES EXCEPT AS NOTED		DATE	DATE	DATE	DATE
FIRST ANGLE PROJECTION		DATE	DATE	DATE	DATE
SCALE: 1:1		DATE	DATE	DATE	DATE
FINISH:		DATE	DATE	DATE	DATE
MATERIAL: ABS		DATE	DATE	DATE	DATE
QTY: 1		DATE	DATE	DATE	DATE
TITLE		DATE	DATE	DATE	DATE
DRAWING NO. AW063		DATE	DATE	DATE	DATE
/PART NO. 00		DATE	DATE	DATE	DATE
DD NOT SCALE DRAWING		DATE	DATE	DATE	DATE
SHEET 1		DATE	DATE	DATE	DATE
OF 1		DATE	DATE	DATE	DATE

埃弗勒斯
EVEREST
WWW.EVERESTCASE.COM

PH036

SIZE
A4
REV